

Operating instructions

VARIABLE SPEED ROTOR MILL

PULVERISETTE 14 *classic line*

Valid starting with: 14.5010/05000

Valid starting with: 14.5020/06000



Read the instructions prior to performing any task!



Fritsch GmbH
Milling and Sizing
Industriestraße 8
D - 55743 Idar-Oberstein
Telephone: +49 6784 70-0
Email: info@fritsch.de
Internet: www.fritsch.de

Certifications and CE conformity

Certification

Fritsch GmbH has been certified by the SGS-TÜV Saar GmbH.



An audit certified that Fritsch GmbH conforms to the requirements of the DIN EN ISO 9001:2015.

CE Conformity

The enclosed Conformity Declaration lists the guidelines the FRITSCH instrument conforms to, to be able to bear the CE mark.



Table of contents

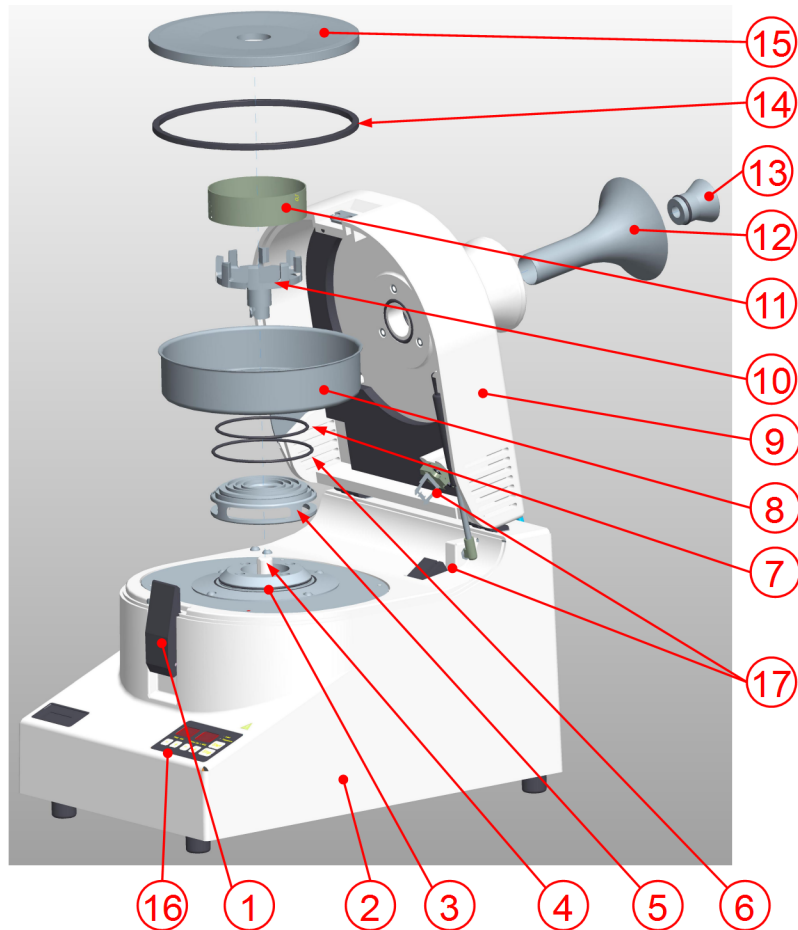
1	Basic structure.	7
2	Safety information and use.	8
	2.1 Requirements for the user.	8
	2.2 Scope of application.	8
	2.2.1 Operating principle.	10
	2.2.2 Speed control.	10
	2.3 Obligations of the operator.	10
	2.4 Information on hazards and symbols used in this manual.	11
	2.5 Device safety information.	13
	2.6 Protective equipment.	14
	2.6.1 Opening the housing cover without voltage supply.	14
	2.7 Hazardous points.	15
	2.8 Electrical safety.	16
	2.8.1 General information.	16
	2.8.2 Protection against restart.	16
	2.8.3 Overload protection.	16
3	Technical data.	17
	3.1 Dimensions.	17
	3.2 Weight.	17
	3.3 Operating noise.	17
	3.4 Voltage.	17
	3.5 Current consumption.	17
	3.6 Power consumption.	17
	3.7 Protection class.	17
	3.8 Electrical fuses.	18
	3.9 Material.	18
	3.10 Final fineness.	18
4	Installation.	19
	4.1 Transport.	19
	4.2 Unpacking.	19
	4.3 Scope of delivery.	19
	4.4 Setting up.	20
	4.5 Ambient conditions.	21
	4.6 Electrical connection.	21

5	Initial start-up	23
5.1	Switching on	23
5.2	Function check	23
5.3	Standstill	23
6	Using the device	24
6.1	Impact rotor	25
6.2	Sieve ring	26
6.3	Installing the grinding elements	27
6.4	Conducting a grinding operation	28
6.5	Removing the grinding elements	28
6.6	Milling with conversion kit for larger quantities	29
6.7	Grinding with external cooling	31
6.8	Grinding with heavy-metal-free or metal-free grinding elements	31
6.9	Continuous feeding of source material	32
6.10	Grinding with the impact bar insert	33
6.11	Grinding with the conversion kit for pin mills	33
6.12	Factors with an impact on grinding	34
6.13	Control panel	34
6.13.1	Setting time units	35
7	Accessories	36
7.1	High-performance cyclone separator	36
7.1.1	Grinding with the sample exhaust system and cyclone separator	36
7.2	Small volume Cyclone separator	40
8	Cleaning	42
8.1	Device	42
8.2	Grinding chamber	42
8.3	Intake filter	42
9	Maintenance	44
9.1	Device	44
9.2	Safety	45
10	Repairs	46
10.1	Checklist for troubleshooting	46
10.2	Error messages	47
11	Examples of milling results	48
12	Disposal	50
13	Guarantee terms	51
14	Exclusion of liability	53

Table of contents

15	Safety logbook.....	55
16	Index.....	56

1 Basic structure



- 1 Latch
- 2 Lower part of housing
- 3 Motor mounting flange
- 4 Motor shaft
- 5 Labyrinth disk
- 6 O-ring, 94x3
- 7 O-ring, 88x3
- 8 Collecting vessel
- 9 Housing cover

- 10 Rotor
- 11 Sieve ring
- 12 Inner funnel
- 13 Inner funnel for cross-section reduction
- 14 Lid seal
- 15 Collecting vessel lid
- 16 Control panel
- 17 Actuator + lock

2 Safety information and use

2.1 Requirements for the user

This operating manual is intended for persons assigned with operating and monitoring the Fritsch PULVERISETTE 14. The operating manual and especially its safety instructions are to be observed by all persons working on or with this device. In addition, the applicable rules and regulations for accident prevention at the installation site are to be observed. Always keep the operating manual at the installation site of the PULVERISETTE 14.

People with health problems or under the influence of medication, drugs, alcohol or exhaustion must not operate this device.

The PULVERISETTE 14 may only be operated by authorised persons and serviced or repaired by trained specialists. All commissioning, maintenance and repair work may only be carried out by technically qualified personnel. Qualified personnel are persons who, because of their education, experience and training as well as their knowledge of relevant standards, regulations, accident prevention guidelines and operating conditions, are authorised by those responsible for the safety of the machine to carry out the required work and are able to recognize and avoid possible hazards as defined for skilled workers in IEC 364.

In order to prevent hazards to users, follow the instructions in this manual.

Malfunctions that impair the safety of persons, the PULVERISETTE 14 or other material property must be rectified immediately. The following information serves both the personal safety of operating personnel as well as the safety of the products described and any devices connected to them: All maintenance and repair work may only be performed by technically qualified personnel.

This operating manual is not a complete technical description. Only the details required for operation and maintaining usability are described.

Fritsch has prepared and reviewed this operating manual with the greatest care. However, no guarantee is made for its completeness or accuracy.

Subject to technical modifications.

2.2 Scope of application



NOTICE

This laboratory instrument is designed for an 8-hour shift operation at 30 % duty cycle and not for continuous operation.

The duty cycle is defined as the ratio of load duration to run time. The run time is defined as load duration plus pause time. According to DIN EN 60034-1 (VDE 0530, IEC34-1) a continuous operation already takes place after a standardised run time of 10 minutes. At 30 % duty cycle (DC = ratio of load duration to run time) a load duration of 3 minutes and a pause time of 7 minutes would be within standard.

If the standardised run time of 10 minutes is exceeded, then, by definition, there would be a continuous operation and disproportionate temperature increases may occur, possibly involving increased wear.



NOTICE

The PULVERISETTE 14 has been built according to the state of the art and in accordance with recognized safety rules. During operation, however, hazards can arise for users or third parties and damage to the machine or other material property can occur.

The PULVERISETTE 14 allows the fast comminution of soft to medium-hard samples, such as:

Plants	Wood	Roots	Leaves	Needles	Spices
Drugs	Dragées	Pills	Textiles	Leather	
Chemicals	Fertilizer	Food	Grains	Feed pellets	Plastics
Pulp	Filler	Chalk	Kaolin	Coal	

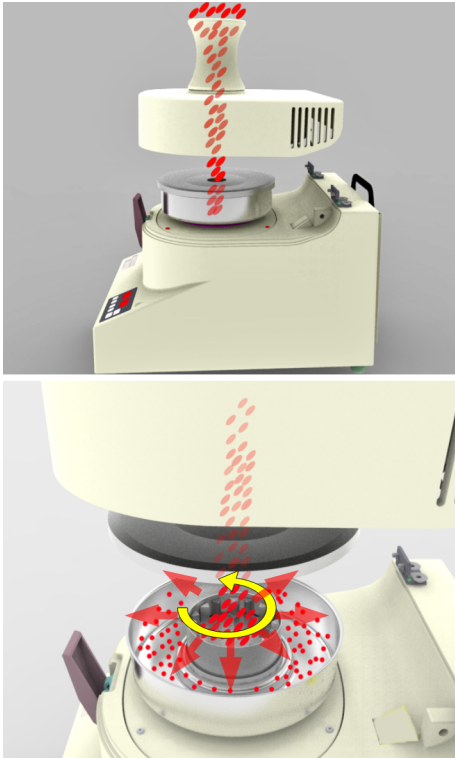
After embrittlement with liquid nitrogen:

Synthetic resins	Foils	Plastics (PVC, PP, PE)
------------------	-------	------------------------

The extremely high-speed PULVERISETTE 14 enables the comminution of temperature-sensitive ductile or plastic samples. Even slightly greasy or moist samples can be ground by "freezing" without embrittlement. By simultaneously adding liquid nitrogen, samples that are extremely difficult-to-mill, such as soft PVC foils, can be made fine enough for analysis.

For iron-free grinding, the rotor and sieve used are made of titanium. The inside of the mill, typically made of chrome-nickel stainless steel, has been suitably coated with a relatively abrasion-resistant PTFE layer. The grinding insert made of pure titanium is only for use with "soft materials". Hard substances destroy the sieve ring and drastically reduce the service life of the rotor.

2.2.1 Operating principle



The fast comminution capability of the PULVERISETTE 14 is due to the extremely high speed of the rotor, which is made of stainless, hardened steel. With a rotational speed of up to 92 m sec^{-1} , the impact energy lies in the range of pin mills, known for their high grinding capacity. Additionally, the sharp-edged teeth of the rotor work in combination with the installed sieve to grind the sample by shearing - similar to high speed cutting mills. After passing through the sieve, the ground sample is collected in a stainless collecting vessel or a filter sack. It is also possible to use a sample exhaust system with cyclone separator.

The source material is fed through a funnel into the grinding chamber and accelerated outwards radially by the high speed of the rotor. There, the material is caught by the impact rotor, ground, and then discharged through the sieve ring into the collecting vessel at a defined particle feed size.

For larger amounts or for materials more sensitive to heat, a collecting vessel with a flange-mounted filter sack (optional conversion kit) or the cyclone separator is used as the sample exhaust system. Here, the sample is cooled by a current of air from the turbine-like action of the rotor and then directly discharged.

To ensure continuous flow of the sample, the electromagnetic vibratory feeder LABORETTE 24 is connected to the PULVERISETTE 14 and the free end of the channel is placed over the input funnel of the PULVERISETTE 14. The feed rate can be regulated by the user to always feed the right amount of sample for optimal comminution. If the amount of source material is too large, the feeder is automatically switched off and then on again.

2.2.2 Speed control

With the (+) or (-) keys, the speed of the rotor can be preselected in steps of 1000 rpm in the range 6000-20000 rpm and in this way be optimally adapted to the requirements of the grinding of the samples. The speed is readjusted for each load.

2.3 Obligations of the operator

Before using the PULVERISETTE 14, this manual is to be carefully read and understood. The use of the PULVERISETTE 14 requires technical knowledge; only commercial use is permitted.

The operating personnel must be familiar with the content of the operating manual. For this reason, it is very important that these persons actually receive the present operating manual. Ensure that the operating manual is always near the device.

The PULVERISETTE 14 may exclusively be used within the scope of applications set down in this manual and within the framework of guidelines put forth in this manual. In case of non-compliance or improper use, the customer assumes full liability for the functional capability of the PULVERISETTE 14 and for any damage or injury arising from failure to fulfil this obligation.

By using the PULVERISETTE 14 the customer agrees with this and recognizes that defects, malfunctions or errors cannot be completely excluded. To prevent risk of damage to persons or property or of other direct or indirect damage, resulting from this or other causes, the customer must implement sufficient and comprehensive safety measures for working with the PULVERISETTE 14.

Neither compliance with this manual nor the conditions and methods used during installation, operation, use and maintenance of the PULVERISETTE 14 can be monitored by Fritsch GmbH. Improper execution of the installation can result in property damage and thus endanger persons. Therefore, we assume absolutely no responsibility or liability for loss, damage or costs that result from errors at installation, improper operation or improper use or improper maintenance or are in any way connected to these.

The applicable accident prevention guidelines must be complied with.

Generally applicable legal and other obligatory regulations regarding environmental protection must be observed.

2.4 Information on hazards and symbols used in this manual

Safety information

Safety information in this manual is designated by symbols. Safety information is introduced by keywords that express the extent of the hazard.



DANGER

This symbol and keyword combination points out a directly hazardous situation that can result in death or serious injury if not avoided.



WARNING

This symbol and keyword combination points out a possibly hazardous situation that can result in death or serious injury if not avoided.



CAUTION

This symbol and keyword combination points out a possibly hazardous situation that can result in slight or minor injury if not avoided.



NOTICE

This symbol and keyword combination points out a possibly hazardous situation that can result in property damage if not avoided.

Special safety information

To call attention to specific hazards, the following symbols are used in the safety information:

Safety information and use



DANGER

This symbol and keyword combination points out a directly hazardous situation due to electrical current. Ignoring information with this designation will result in serious or fatal injury.



DANGER

This symbol and keyword combination designates contents and instructions for proper use of the machine in explosive areas or with explosive substances. Ignoring information with this designation will result in serious or fatal injury.



DANGER

This symbol and keyword combination designates contents and instructions for proper use of the machine with combustible substances. Ignoring information with this designation will result in serious or fatal injury.



WARNING

This symbol and keyword combination points out a directly hazardous situation due to movable parts. Ignoring information with this designation can result in hand injuries.



WARNING

This symbol and keyword combination points out a directly hazardous situation due to hot surfaces. Ignoring information with this designation can result in serious burn injuries due to skin contact with hot surfaces.

Safety information in the procedure instructions

Safety information can refer to specific, individual procedure instructions. Such safety information is embedded in the procedure instructions so that the text can be read without interruption as the procedure is being carried out. The keywords described above are used.

Example:

1. ➔ Loosen screw.

2. ➔



CAUTION

Risk of entrapment at the lid.

Close the lid carefully.

3. ➔ Tighten screw.

Tips and recommendations



This symbol emphasises useful tips and recommendations as well as information for efficient operation without malfunction.

2.5 Device safety information

Please observe!



- Only use original accessories and original spare parts. Failure to observe this instruction can compromise the safety of the machine.
- Accident-proof conduct is to be strictly followed during all work.
- Comply with all currently applicable national and international accident prevention guidelines.



CAUTION

Wear hearing protection!

If a noise level of 85 dB(A) is reached or exceeded, ear protection should be worn to prevent hearing damage.



WARNING

The maximum accepted concentration (MAC) levels of the relevant safety guidelines must be observed; if necessary, ventilation must be provided or the machine must be operated under an extractor hood.



DANGER

Explosion hazard!

- When Grinding oxidizable substances, e.g. metals or coal, there is a risk of spontaneous combustion (dust explosion) if the share of fine particles exceeds a certain percentage. When Grinding these kinds of substances, special safety measures must be taken and the work must be supervised from a specialist.
- The PULVERISETTE 14 is not explosion protected and is not designed to grind explosive materials.

- Do not remove the information signs.



NOTICE

Immediately replace damaged or illegible information signs.

Safety information and use

- Unauthorised alteration of the PULVERISETTE 14 will void Fritsch's declaration of conformity to European directives and void the guarantee.
- Only use the PULVERISETTE 14 when it is in proper working order, as intended and in a safety- and hazard-conscious manner adhering to the operating manual. In particular, immediately rectify any malfunctions that could pose a safety hazard.
- If, after reading the operating manual, there are still questions or problems, please do not hesitate to contact our specialised personnel.

2.6 Protective equipment



Protective equipment is to be used as intended and may not be disabled or removed.

All protective equipment is to be regularly checked for integrity and proper functioning.

For start-up, the housing cover (9) must be closed.

The housing cover is locked:

- without mains connection
- during operation



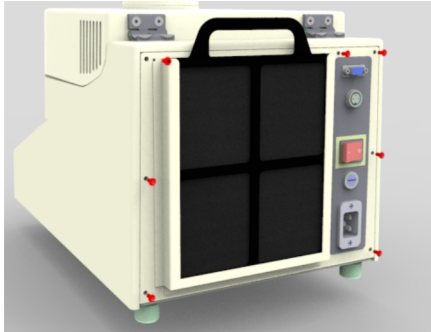
The housing cover (9) can only be opened, if the mill's drive is at a standstill.

2.6.1 Opening the housing cover without voltage supply

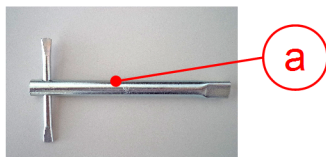
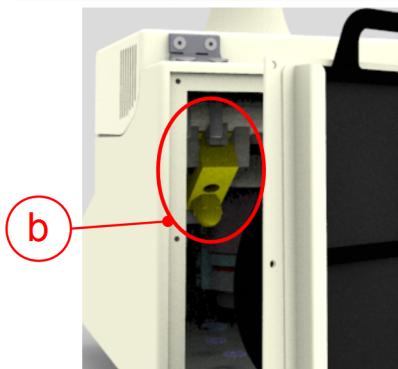


CAUTION

The emergency release must not be activated while the machine is running! Disconnect the machine from the mains before the emergency release. Failure to observe this will render void the guarantee, and releases us from liability for any resulting damage to the device or personal injury.



1. ➤ Remove the mains plug and fully unscrew the connection plate and filter unit on the back (7 screws).
2. ➤ Open the lock (b) with the triangular key (a) by turning it to the right.
3. ➤ The housing cover can now be flipped open.
4. ➤ In order to be able to operate the PULVERISETTE 14 again, activate the safety lock by turning the triangular key to the left and close the housing cover.



Only when the lid is locked can the motor be started by pressing the [START] key. After pressing the [STOP] key, an electronic brake brings the motor to a halt within approx. 10 seconds.

The housing cover can only be opened after the cover lock has been released by the motor's speed monitor.

2.7 Hazardous points



! DANGER

Mains voltage!

When opened, the device has protection class IP 20, i.e. water and particles <12 mm can enter the device. Keep this in mind when cleaning () and when removing the grinding elements (→ Chapter 6.5 'Removing the grinding elements' on page 28).



WARNING

- Crushing hazard when closing the housing cover!
- Crushing hazard when removing and positioning the collecting vessel!
- The collecting vessel can become very hot!
- Never operate the device without sieve ring, collecting vessel and lid. If no sieve ring is desired, the spacer ring no. 44.1110.00 has to be used.
- Cutting hazard at the grinding elements such as rotors, sieves and collecting vessel. These can have sharp edges. Sieves with reinforced edges can be used to avoid the cutting hazard from sieve rings. These do not have any sharp metal edges.
- When grinding electrically conductive substances, the fine dust can be suctioned through the filter on the back side of the device and cause short circuits. Therefore, when grinding such substances, work must be carried out especially carefully and cleanly.

2.8 Electrical safety

2.8.1 General information

- The main switch separates the PULVERISETTE 14 from the mains on two poles.
- Switch off the main switch if the PULVERISETTE 14 is idle for a longer period of time (e.g. overnight).

2.8.2 Protection against restart

In case of power failure during operation or after switching off with the main switch, the housing cover is locked. The lock of the housing cover is opened when the power returns. For safety reasons, however, the PULVERISETTE 14 does not restart.

2.8.3 Overload protection

The power consumption is permanently monitored. The monitor switches off the motor after a continuous overload. To rectify the malfunction, switch off the PULVERISETTE 14 and remove the block. Afterwards, the motor is started by pressing the [START] button.

The device switches off when the drive motor becomes too hot.

The PULVERISETTE 14 switches off when the drive is blocked (➔ *Chapter 10.1 'Checklist for troubleshooting' on page 46*).

3 Technical data

3.1 Dimensions

431 x 310 x 478 mm (height x width x depth)

3.2 Weight

Weight: 23 kg (net), 26 kg (gross)

3.3 Operating noise

Operation condition of device during measurement: Idle, max. speed (20000 rpm)

- Workplace-specific emission value L_{pA} : 88.4 dB
- Sound power level L_{WA} : 101.4 dB

Operation condition of device during measurement: 1.5 mm sieve with max. speed (20000 rpm), source material: feed pellets.

- Workplace-specific emission value L_{pA} : 86.8 dB
- Sound power level L_{WA} : 99.8 dB



The values vary according to speed and source material as well as the perforation of the sieve rings and number of ribs on the rotor. When using an open system, e.g. with flange-mounted filter sack, there is a significant increase in noise level. Increased air flow noise is audible.

3.4 Voltage

- Device 14.5010.00: Single phase alternating current 100-120 V \pm 10%
- Device 14.5020.00: Single phase alternating current 200-240 V \pm 10%.

Transient overvoltage according to overvoltage category II is permitted.

3.5 Current consumption

The maximum current consumption briefly reaches approx. 15A.

3.6 Power consumption

The maximum power consumption briefly reaches approx. 2kW.

3.7 Protection class

IP 22

Technical data

3.8 Electrical fuses

Fuse on the back of device (mains voltage supply): 1x15 AT

3.9 Material

- Maximum feeding size approx. 10 mm
- Maximum feeding amount when using the pan 200 ml
- Maximum feeding amount when using the filter sack 1000 ml

3.10 Final fineness

The final fineness depends on the sieve ring used and is between 0.08 mm and 6.0 mm.

4 Installation

4.1 Transport

The device is delivered in a wooden crate or cardboard box. We recommend using a forklift or pallet truck for transporting the packed device.



DANGER

Do not step under the transport pallet during transport.



WARNING

Improper lifting can lead to personal injury or property damage. The machine is only to be lifted with suitable equipment and by qualified personnel.

The guarantee excludes all claims for damage due to improper transport.

4.2 Unpacking

- Pull out the 4 nails that fasten the lid to the surrounding packaging. (for delivery in a wooden crate!)
- Remove the lid.
- Take out the accessories and the foam parts.
- Then lift the device out of the wooden crate or cardboard box.
- Please store the transport packaging so that it can be reused if you need to return the product. Fritsch GmbH accepts no liability for damage caused by improper packaging (packaging that is not from Fritsch).
- Compare the contents of your delivery with your order.

4.3 Scope of delivery

- Collecting vessel (14.2500.00)
- Collecting vessel lid with seal ring (14.2540.00)
- Inner funnel (14.2180.10)
- Inner funnel 13 mm (14.2480.10)
- Hex key (83.4270.00)
- Triangular key (83.4260.00)
- Mains cable

4.4 Setting up



NOTICE

Allow the device to acclimatise for two hours before commissioning. High temperature differences can lead to condensation in the device and damage to the electronics after switching on.

Strong temperature fluctuations can occur during transport or interim storage. Depending on the temperature difference between the installation site and the transport or storage environment, condensation can form inside the device. This can damage the electronics if the devices are switched on too early. Wait for at least two hours after setup before switching on the device.



DANGER

Do not step under the transport pallet during transport.



WARNING

Crushing hazard!

Always lift with 2 persons.

Hold the bottom edge of the housing when lifting.



NOTICE

Never operate PULVERISETTE 14 while it is standing on the transport pallet!



NOTICE

Keep the air outlet on the side ventilation grate free. Risk of overheating!

Place the PULVERISETTE 14 on a flat, stable surface. It does not have to be fastened to this surface. The rubber feet on the PULVERISETTE 14 can be adjusted to compensate for uneven surfaces.

- Make sure that the PULVERISETTE 14 is easily accessible. There has to be sufficient space to reach the main switch on the back of the device.

4.5 Ambient conditions

**WARNING****Mains voltage!**

- The device may only be operated indoors.
- The surrounding air may not carry any electrically conductive dust.
- Maximum relative humidity 80% for temperatures up to 31°C, linearly decreasing down to 50% relative humidity at 40°C.

- The room temperature has to stay between 5 - 40°C.
- Altitudes up to 2000 m
- Degree of pollution 2 according to IEC 664.

4.6 Electrical connection

**DANGER****Provide short-circuit protection!**

Risk of damage due to short-circuits.

- Make sure that the socket is connected to a mains line protected with a residual current circuit breaker.

**DANGER****Mains voltage!**

Changes to the connection line may only be made by a qualified person.

**CAUTION**

Ignoring the values on the type plate may result in damage to the electrical and mechanical components.

Installation



- Check the device voltage with the values of the mains grid before connecting the PULVERISETTE 14.
- Plug the supplied power cable into the socket (a) on the back side of the device.
- Afterwards, connect the power cable of the PULVERISETTE 14 to the electrical outlet.
- 100/120 V and 200/240 V single phase alternating current with protective conductor; fuse max. 15 A



NOTICE

Fritsch mills are speed controlled. The devices are equipped for this with frequency converters. In order to comply with the EMC directive, many measures must be taken to prevent operational transient emissions.

The possible leakage currents resulting from filtering measures can trigger a conventional residual current circuit breaker in the mains line. **This is no defect!**

To prevent this, special residual current circuit breakers, which are adapted for operation with frequency converters, are commercially available.

Operation without a residual current switch is possible, but must be done in accordance with the relevant regulations.

5 Initial start-up

Perform initial start-up only after all work as described in *Chapter 4 'Installation' on page 19* has been carried out.

5.1 Switching on



- Connect the device to the mains.
- Switch on the device with the main switch (b) on the back of the device.
- The display lights up, the electric lock is opened after a short delay.

5.2 Function check



CAUTION

Only conduct the function check at a speed of 6000 1/min.

- Reach below the latch (5) on the front and pull it forwards.
- Open the housing cover (1).
- Remove the lid of the collecting vessel.
- Remove the sieve ring and rotor.
- Remove the collecting vessel and set it down on a flat surface.
- Lock the housing cover with the latch (5).
- On the control panel, set the speed to 6000 rpm.
- On the control panel, press *[START]*
- The housing cover is locked electrically and the mill runs at the preselected speed.

5.3 Standstill

- On the control panel, press *[STOP]*
- After a short time, once the mill is at standstill, the housing cover is unlocked and can be opened.

6 Using the device



WARNING

If the grinding elements used are not original accessories, we assume no guarantee and exclude all liability for damage to the device or for personal injury.



WARNING

Make certain before starting the machine that the grinding elements have been properly installed and locked in place and that there are not any loose parts inside of the device.

Failure to observe this provision will void the guarantee and releases us from liability for any resulting damage to the machine or personal injury.



CAUTION

Wear safety gloves!

The collecting vessel and the grinding elements can become very hot after grinding. Grinding elements such as rotors, sieves and the collecting vessel can have sharp edges. Especially when cleaning, make sure to wear gloves that are safe and without defect.

Sieves with reinforced edges can be used to avoid the cutting hazard from sieve rings. These do not have any sharp metal edges.



CAUTION

When grinding electrically conductive substances, the fine dust can be suctioned through the filter on the back side of the device and cause short circuits. Therefore, when grinding such substances, work must be carried out especially carefully and cleanly.



CAUTION

The device may not be run unsupervised.



NOTICE

Risk of overheating!

Do not allow the PULVERISETTE 14 to mill longer than half an hour without cool-down phases.

**NOTICE****Risk of melting!**

Feed material with unknown properties or material with a low melting point to the device in small quantities. Then check the sieve to see if the material has started to stick or melt. If this is the case, the sample must be "embrittled" before grinding with the PULVERISETTE 14. To do this, embrittle the material for a few minutes using liquid nitrogen and then feed it to the device.



The rotors as well as the sieve rings with a titanium nitride coating are suitable for grinding medium-hard substances. This combination is used to significantly reduce metal abrasion. For milling without any metal abrasion, we recommend using the pure titanium grinding element, which can only be used for soft to medium-hard substances.

6.1 Impact rotor

The impact rotors are made of special, hardened stainless steel - the 12-rib rotor is available as special accessory made of pure titanium for iron-free grinding.

(A rotor with 12 ribs has established itself as the standard rotor for many applications.)

8-rib rotor

The rotor with 8 ribs enables fast fine grinding for materials with a particle feed size < 10 mm (maximum length < 15 mm) or fibrous material. (Order no. 44.4080.10)

When feeding the grinding stock, the inner funnel can be removed.

The 8-rib rotor is also suitable for pre-crushing (or rough comminution). For this, the sieve ring spare (no. 44.1110.00) is used, optionally without the inner funnel.

12-rib rotor

The rotor with 12 ribs enables fast fine grinding for materials with a particle feed size < 10 mm (largest length).

(special steel: order no. 44.4120.10; titanium: order no. 44.4120.32)

When feeding the material, the inner funnel can be removed.

This rotor is also suitable for pre-crushing or rough comminution.

24-rib rotor

The rotor with 24 ribs (order no. 44.4240.10) enables fast fine grinding for all materials with a particle feed size < 5 mm (largest length).

**NOTICE**

The 24-rib rotor should not be used for grinding plastics containing carbon or glass fibres. There is a risk of breaking a tooth.

Using the device



When using the conversion kit (order no. 14.3510.00) or the cyclone separator (14.3740.00), this rotor achieves the highest air flow rate. By doing so, it accelerates grinding, improves cooling and helps to protect heat-sensitive grinding stock.



NOTICE

When the rotors are badly worn, there is a risk of the teeth breaking off and causing further damage to the device.

→ Replace worn rotors in good time!

6.2 Sieve ring

The final fineness of the source material is determined by the choice of sieve ring.

For the sieve ring sizes available, see the service manual.

Typically, the final fineness of the source material is smaller than the perforation diameter set by the sieve ring. In **normal cases**, use the **sieve ring with trapezoidal perforation** with the **direction arrow on it pointing upwards** ↑.

With this setting, some particles in the source material may be longer than as specified by the perforation diameter.

If a **large share of fine particles is desired**, install the sieve ring with the **direction arrow pointed downwards** ↓. This lowers the throughput.



NOTICE

When milling without a sieve ring, a spacer ring (44.1110.10) has to be used so that the distance between lid and rotor is maintained.



NOTICE

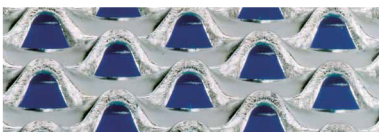
Grinding unsuitable sample material can damage the sieve rings.

Examples of unsuitable samples:

- Tough or hard-tough samples
- Samples larger than the distance between the rotor teeth.

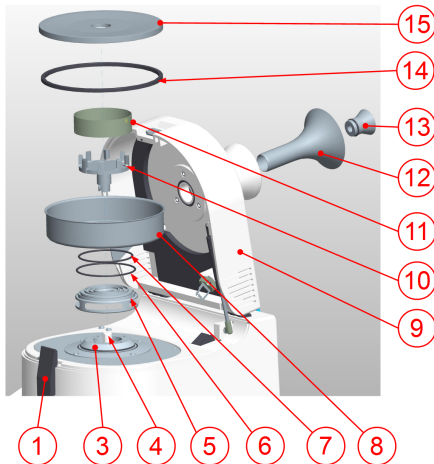
These samples can get stuck between the rotor and the sieve and destroy the sieve.

Grinding tools are not covered by the warranty terms of FRITSCH GmbH!



Sieve rings with trapezoidal perforation, available as original accessories from Fritsch, can have manufacturing sieve opening tolerances of up to +/- 20% of the nominal mesh width.

6.3 Installing the grinding elements



The grinding elements are to be installed in the PULVERISETTE 14 as described in the following:

1. ➔ Set the labyrinth disk (5) on the motor mounting flange (3) and press it firmly downwards until it lies flush on the motor mounting flange (3). It is clamped and centred by an O-ring.
2. ➔ Set the collecting vessel (8) onto the labyrinth disk (5). Make sure that the O-rings (6) and (7) are seated correctly in the corresponding grooves of the labyrinth disk (5).
3. ➔ Place the rotor (10) on the motor shaft (4) (). The cut grooves on the bottom end of the rotor shaft have to point in the direction of the flattened sides of the motor shaft. The rotor is guided by a cylinder pin.



If the labyrinth disk is too difficult to put on, clean the O-ring on the motor flange (3) and reinsert it correctly. Then move your finger across it or grease the O-ring a little, so that the labyrinth disk glides across it better.



CAUTION

Do not force on the rotor (10) when placing it on the motor shaft (4).

It should easily glide onto the motor shaft (4) and after being placed on the shaft, it should easily be turned by the cylinder pin to the left and right up to the stops (apply some oil, if necessary).

4. ➔ Slide the sieve ring (11) over the rotor (10) () and place it on the O-ring (7) of the labyrinth disk. If a sieve ring is not used, use the spacer ring with order no. 44.1110.10 as a sieve ring substitute.
5. ➔ Seal closed the collecting vessel (8) using the lid (15) and lid seal (14). The centring shoulder in the centre of the lid has to be centred on the sieve ring (11).
6. ➔ Close the housing cover (9) and lock it in place with the latch (1). Locking it into place will require a certain amount of force. By closing the PULVERISETTE 14, the grinding elements are locked into place.



The resistance when closing the latch (1) determines the pressure that holds the sieve ring (11). If the latch (1) cannot be closed, the centring disk in the lid of the collecting vessel (15) is not seated centrally on the sieve ring (11). This can be corrected by shifting the lid (15).

Using the device

7. ➤ If the source material is smaller than 8 mm, the supplied inner funnel (13) with an inner diameter of 13 mm can be inserted. This will significantly reduce the air noise.

Other inner funnels with 10 mm (order no. 14.2470.10) and 20 mm (order no. 14.2490.10) diameters are also available as accessories. The smaller the inner diameter, the lower the noise emission when grinding.



NOTICE

When opening the housing cover (9), the inner funnel (13) can fall out to the back.



CAUTION

The PULVERISETTE 14 may only be operated when all parts are in place. Neglecting to install parts will result in damage to the device.

6.4 Conducting a grinding operation



CAUTION

Wear hearing protection!

Hearing protection should be worn when milling, because noise levels can reach or exceed 85 dB(A).

After closing the PULVERISETTE 14 as described in , the milling can be started.

1. ➤ Switch on the PULVERISETTE 14 with the main switch on the back.
2. ➤ Press the [SPEED] (+) or (-) keys to set the desired speed.
3. ➤ After pressing the [START] key, the PULVERISETTE 14 starts running.
4. ➤ Wait until the mill has ramped up to the set speed.
5. ➤ Fill small amounts of the source material into the inner funnel (13, 14).
6. ➤ After milling, press the [STOP] key.
7. ➤ After the motor has come to a standstill, open the latch (1) and the housing cover (9).



6.5 Removing the grinding elements

1. ➤ Lift off the lid of the collecting vessel (15) and, moving outwards with a brush, clean the grinding stock from the outer surface of the sieve ring (11) and from the inner edge of the collecting vessel (8). If source material falls downward, it does not directly enter the device; however, this should immediately be vacuumed away with a vacuum cleaner (➔ Chapter 8 'Cleaning' on page 42) after removing the sample.
2. ➤ Remove collecting vessel (8) with the sample.
3. ➤ Use the vacuum cleaner to vacuum away the residual source material

4. ➤ Remove sieve ring (11) and rotor (10).



It is important to remove the sieve ring (4) and rotor (5) only after removing the sample, because incompletely milled sample material could be on either part. There is a chance that this could find its way into the milled sample and falsify the milling results.

5. ➤ Use a vacuum cleaner once again to vacuum away any residual source material on the labyrinth disk.
6. ➤ Remove labyrinth disk (5). Because the labyrinth disk (5) is clamped and centred with an O-ring, it can be somewhat difficult to remove.
7. ➤ Clean parts before the next milling (➔ Chapter 8 'Cleaning' on page 42).

6.6 Milling with conversion kit for larger quantities

For the article numbers, please refer to our homepage or the spare parts catalogue.

The conversion kit for comminution of larger amounts consists of:

The conversion kit for comminution of larger amounts consists of:

- Collecting vessel with outlet
- Clamping ring with bent tube
- Nylon support sack
- Paper filter sack

We recommend using the conversion kit:

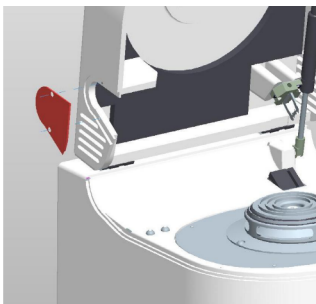
- when milling larger quantities.

Due to the centrifugal effect of the impact rotor and the increased air flow rate, the source material is discharged and collected in the filter sack.

- when milling temperature-sensitive source material.

The increased air flow rate cools the source material. This shortens the milling time and also the amount of time the material spends in the grinding chamber.

Conversion

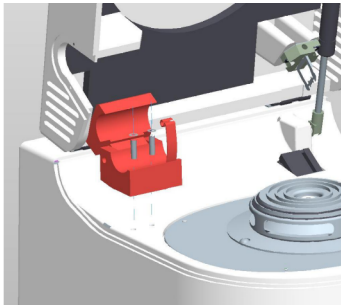


1. ➤ Use a cross-head screwdriver to unscrew the cover plate on the left side of the housing cover.

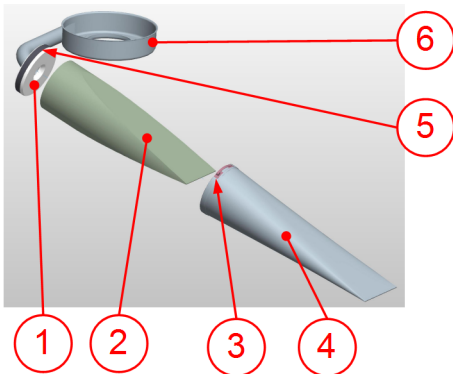
Using the device



2. ➔ Remove the cover screws in the lower part of the housing.



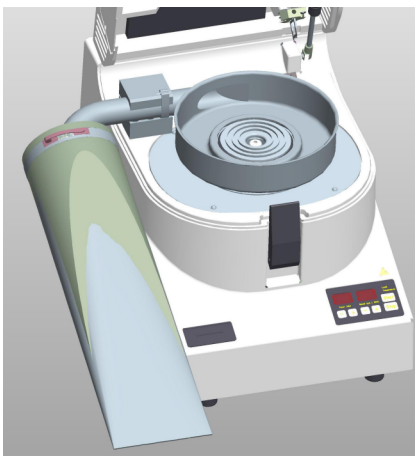
3. ➔ Fasten the bent tube support there.



4. ➔ Insert the paper filter sack (2) in the nylon support sack (4) and clamp it firmly at the plastic flange (1) with the clamping ring (3). Make sure that the nylon support sack has been slid over the rubber seal (5).

Installing and removing the grinding elements

Carry out the installation and removal of the grinding elements as well as the milling process as described in ➔ *Chapter 6.3 'Installing the grinding elements' on page 27*, ➔ *Chapter 6.5 'Removing the grinding elements' on page 28* and ➔ *Chapter 6.4 'Conducting a grinding operation' on page 28*. The only difference is that the tube to the collecting vessel is inserted in and fastened to the bent tube support.



6.7 Grinding with external cooling

For certain source materials, using coolants before milling can be beneficial for comminution. For instance, soft organic materials or special plastics can be made brittle by briefly immersing them in liquid nitrogen or storing them in a freezer before grinding. Protect the source material against condensation – e.g. a plastic bag could keep the source material dry during cooling until grinding.

For highly temperature-sensitive source material, we recommend cooling the source material with liquid nitrogen before milling and then feeding the material into the funnel in very small quantities, e.g. with a spoon spatula.



CAUTION

Wear safety goggles and suitable safety gloves when using liquid nitrogen!



When milling larger amounts (> 20 g) with external cooling, always use the conversion kit.

Dry ice (solid carbon dioxide) can also be used for cooling. Keep in mind that the surface of dry ice often contains frozen condensate, which can potentially clog or contaminate the sieve ring.

6.8 Grinding with heavy-metal-free or metal-free grinding elements

For the article numbers, please refer to our homepage or the spare parts catalogue.

To eliminate the influence of even the smallest amounts of iron, it is necessary to install iron-free grinding elements.

The following parts must be installed:

- 12-rib rotor made of titanium (99.8% titanium),
- a sieve ring made of pure titanium with a reinforced edge or
- a sieve ring with a TiN coating,
- a collecting vessel coated with PTFE,
- a lid coated with PTFE.



When using iron-free grinding elements, keep in mind that the hardness and abrasion resistance of titanium is significantly lower than that of the hardened special steel. The Teflon coating of the collecting vessel and lid also has reduced abrasion resistance. (⇒ Chapter 2.2 'Scope of application' on page 8)

Installing and removing the grinding elements

1. → Carry out the installation and removal of the grinding elements as well as the grinding process as described in ⇒ Chapter 6.3 'Installing the grinding elements' on page 27, ⇒ Chapter 6.5 'Removing the grinding elements' on page 28 and ⇒ Chapter 6.4 'Conducting a grinding operation' on page 28.

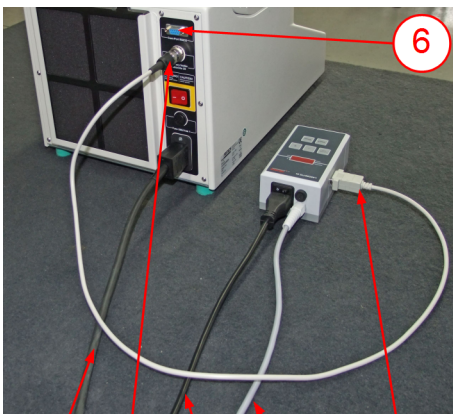
- 2. The inner funnels (12) and (13) made of stainless steel may not be used.

6.9 Continuous feeding of source material

To feed larger quantities of a free-flowing source material, use the vibratory feeder "LABORETTE 24".



- Set the feeder on a stand next to the variable speed mill so that the end of the channel is located above the funnel.

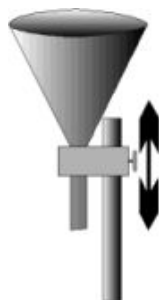


- 1 Connection cable for the LABORETTE 24 control unit and the PULVERISETTE 14
- 2 Connection cable for the LABORETTE 24 control unit and the LABORETTE 24 device
- 3 Power cable for LABORETTE 24
- 4 Connection socket for LABORETTE 24 connection cable
- 5 Power cable for PULVERISETTE 14
- 6 RS232 communication interface

- Connect the devices by plugging the connection cable (1) supplied with the LABORETTE 24 control unit into the connection socket (4) on the back of the PULVERISETTE 14.



When the motor is overloaded, the material flow is stopped and then automatically switched back on once the source material has been processed and the motor is again running at nominal load.

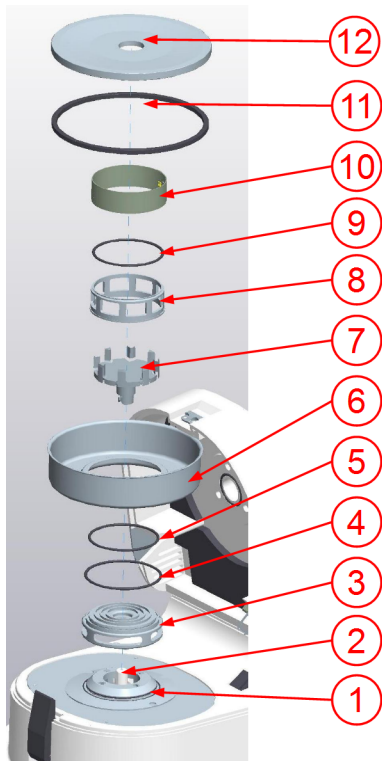


The flow of source material along the channel is set with the feeder control unit. The flow of the source material out of the funnel onto the channel of the LABORETTE 24 channel has to be adjusted according to the flow properties of the source material.

- Set the distance between the funnel and the channel by changing the height of the funnel so that the "right" amount is fed.
- If too much is fed, the feeder switches off automatically too often - slide the funnel somewhat downwards.
- If too little is fed, the load display remains in the lowest range - slide the funnel somewhat upwards.

Carry out the installation and removal of the grinding elements as well as the milling process as described in ➔ Chapter 6.3 'Installing the grinding elements' on page 27, ➔ Chapter 6.5 'Removing the grinding elements' on page 28 and ➔ Chapter 6.4 'Conducting a grinding operation' on page 28.

6.10 Grinding with the impact bar insert



Artikelnummern finden Sie auf unserer Homepage oder im Ersatzteilkatalog.

- 1 Motor mounting flange
- 2 Motor shaft
- 3 Labyrinth disk
- 4 O-ring, 94x3
- 5 O-ring, 88x3
- 6 Collecting vessel
- 7 Rotor
- 8 Impact bar (optional)
- 9 O-Ring 90x2 for impact element (optional)
- 10 Sieve ring
- 11 Lid seal
- 12 Collecting vessel lid

To carry out milling with a process similar to that of a cross beater mill, there is an optional insert with impact bar (8) and an outer sieve ring (10) with 1.0 mm trapezoidal perforation.

The rotor (7) with 8 teeth operates directly next to the impact bar (8). This increases the shear stress on the source material. This provides for faster coarse grinding of brittle source material. Additionally, the temperature load on the source material for fine milling is significantly lower.

During milling tests the best results were achieved with an 8-rib rotor (7) and 1.0 mm sieve ring (10). However, any other rotor can be employed, so that it is possible to use a rotor that is already on hand. If an existing rotor will be used, only the impact bar and a matching sieve ring need to be ordered.



The standard sieve rings cannot be used.

The handling of the impact rotor insert is the same as for the standard grinding elements (see ➔ Chapter 6.3 'Installing the grinding elements' on page 27, ➔ Chapter 6.5 'Removing the grinding elements' on page 28 and ➔ Chapter 6.4 'Conducting a grinding operation' on page 28). The sieve ring is just replaced with the impact bar (8) and outer sieve ring (10).

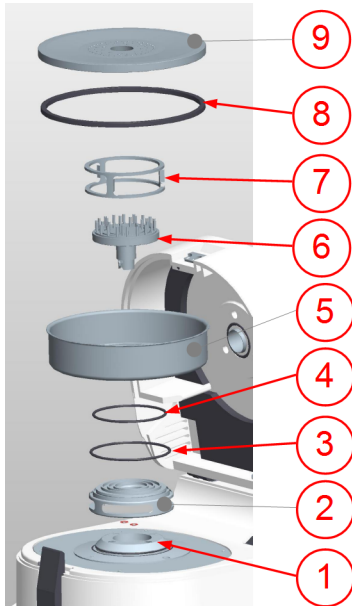
The O-ring (9) serves to seal off the sieve ring (10) from the lid (12) of the collecting vessel. First, the sieve ring (10) is placed over the impact bar (8) and then the O-ring (9) is pressed into the groove.

In addition to the 8-blade rotor, the 12- or 24-rib rotors may also be employed. For the order numbers of the different sieve rings, please refer to the spare parts drawing.

6.11 Grinding with the conversion kit for pin mills

For the item numbers, please refer to our homepage or the spare parts catalogue.

Using the device



- 1 Motor mounting flange
- 2 Labyrinth disk
- 3 O-ring 94x3
- 4 O-ring 88x3
- 5 Collecting vessel
- 6 Pin rotor
- 7 Spacer ring
- 8 Lid seal
- 9 Collecting vessel lid with pin insert

With this conversion kit, the rotor mill can be converted to a pin mill without sieve. The spacer ring must be installed in order to maintain the distance and centring between rotating and fixed pin disks.

The handling of the pin insert is the same as for the standard grinding elements (see → Chapter 6.3 'Installing the grinding elements' on page 27, → Chapter 6.5 'Removing the grinding elements' on page 28 and → Chapter 6.4 'Conducting a grinding operation' on page 28). The sieve ring is only replaced with the spacer ring (7).

6.12 Factors with an impact on grinding

Source material feed rate

The smaller the feed rate of source material, the larger the share of fine particles and the circulation of air. The mechanical and temperature load on the mill decrease. Optimal feeding largely depends on the sample and volume and should be determined in preliminary tests.

Speed

Higher speeds shorten the grinding time and increase the share of fine particles. The mechanical and temperature load on the mill increase exponentially with increasing speed.

Size of sieve perforation

The smaller the perforation of the sieve, the slower the sample has to be fed and the longer the milling time. The noise level decreases with finer perforation.

Cooling

Effective cooling (e.g. by using the filter system or source material exhaust) always has benefits for milling and mill.

6.13 Control panel



When the mill is switched on, the values of the last milling are displayed.

- Timer: Range "P", "1"- "99" min, where "P" means continuous operation.
- Speed: Range "6"- "20" (x1000 rpm), adjustable in steps of 1000, i.e. a speed between 6000 and 20000 rpm can be selected.
- Load lights up when the motor is overloaded by too much source material.

- Temperature: Off when operation is fault-free.
 - Flashes at elevated temperatures. The current milling process can still be carried out, but the sample feed rate should be decreased. Afterwards, restarting is only possible after cooling down.
 - Continuously lit up at excessive temperatures; the motor is switched off. Restarting is only possible after cooling down.
 - Remains lit when the mill is switched on and when the temperature sensor is not in proper working order or is still too hot.

6.13.1 Setting time units



1. ➤ When the device has been switched off, press and hold the STOP button on the front control panel.



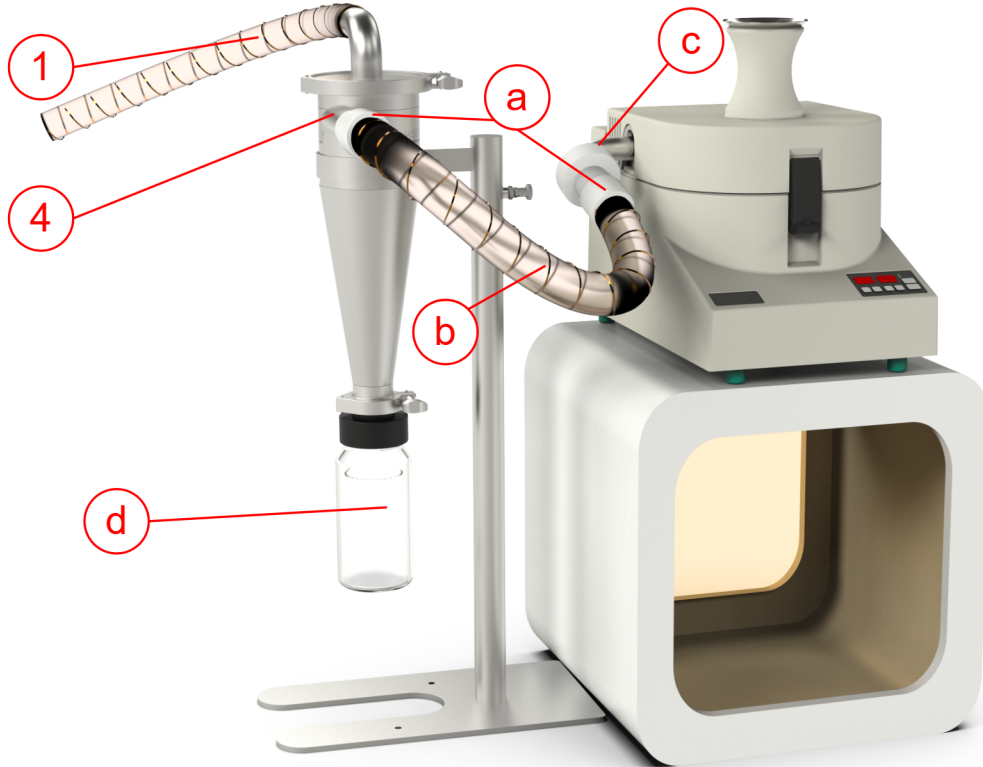
2. ➤ Switch on the device with the main switch (10) on the back side of the device.
3. ➤ If POWER SUPPLY is flashing, the device is in setup mode. If POWER SUPPLY is not flashing, repeat the procedure.



4. ➤ To perform changes, press the "+" button (y) in the Speed field:
 Time unit, hours and minutes → Display: -
 Time unit, hours and minutes → Display: 1 (factory setting)
5. ➤ To save and end setup mode, press the STOP button.

7 Accessories

7.1 High-performance cyclone separator



- 1 Dust exhaust connection
- 4 Mill connection
- a 2 x Bushing for spiral hose (45.5984.16)
- b Hose for sample exhaustion (45.5979.16)
- c Collection vessel with bent tube, support and adapter for suction (14.3741.00)
- d Sample bottle, 1000 ml (83.3250.00)

7.1.1 Grinding with the sample exhaust system and cyclone separator



NOTICE

During comminution of moist or sticky samples, make sure that the sieve does not clog up. This can lead to negative pressure in the collecting vessel and may destroy it.

Continuous use may raise the temperature of the dust exhaust system. This can raise the temperature of the entire system, increasing the release of moisture and the risk of adhesions.

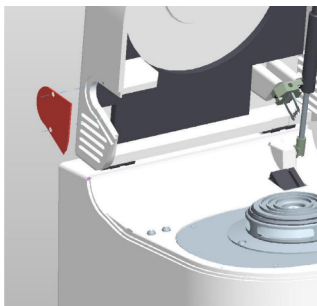
If the dust exhaust noise increases, it can be due to a blocked exhaust. In this case the system should be switched off and checked.

We recommend using the vibratory feeder "LABORETTE 24" in combination with the "device for sample exhaustion" for continuous feeding of larger quantities of free-flowing grinding stock (see ➔ Chapter 6.9 'Continuous feeding of source material' on page 32).

We recommend using the device for sample extraction:

- when grinding larger quantities.
Due to the centrifugal effect of the impact rotor and the increased air flow rate, the grinding stock is discharged and collected in the sample bottle.
- when grinding temperature-sensitive grinding stock.
The increased air flow rate cools the grinding stock. This shortens the milling time and also the amount of time the material spends in the grinding chamber.

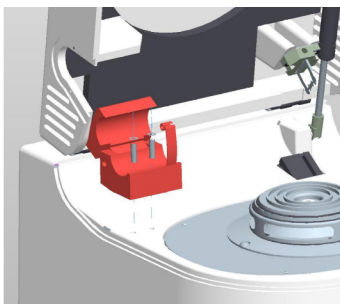
Conversion of the PULVERISETTE 14 for use with the cyclone separator



- 1.** ➔ Use a cross-head screwdriver to unscrew the cover plate on the left side of the housing cover.



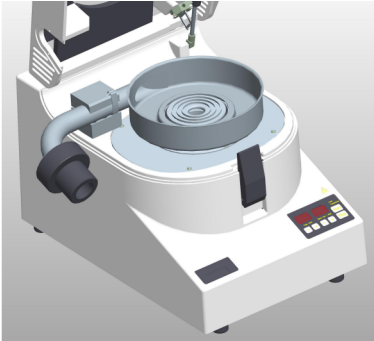
- 2.** ➔ Remove the cover screws in the lower part of the housing.



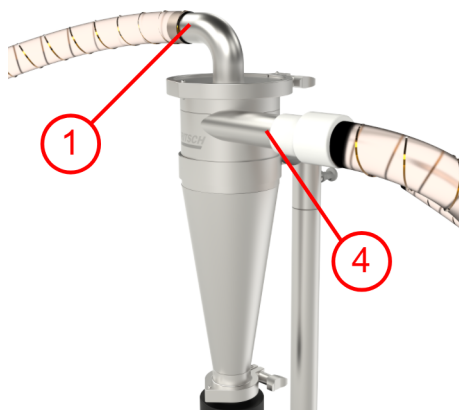
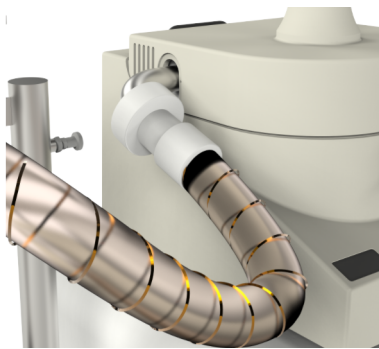
- 3.** ➔ Fasten the bent tube support there.

Accessories

Installing and removing the grinding elements



Working with the sample exhaust system



→ Carry out the installation and removal of the grinding elements as well as the milling process as described in → *Chapter 6.3 'Installing the grinding elements' on page 27*, → *Chapter 6.5 'Removing the grinding elements' on page 28* and → *Chapter 6.4 'Conducting a grinding operation' on page 28*. The only difference is that the tube to the collecting vessel is inserted into and fastened onto the bent tube support.

1. → Position all devices as shown and described above, then connect to the mains.
2. → PULVERISETTE 14 should be prepared and closed as described in → *Chapter 6.3 'Installing the grinding elements' on page 27*.
3. → Slide the bushing with the spiral hose from the cyclone separator over the outlet of the grinding vessel.

4. → Fasten the other end of the exhaust hose on the connector (4) of the cyclone separator.
5. → Screw the sample bottle onto the adapter on the bottom of the cyclone separator, making sure the exhaust hose (1) is firmly connected.
6. → PULVERISETTE 14 should be switched on.



NOTICE

During the grinding process, use the Cyclone exhaust system to ensure that the air flows freely through the funnel:

- Choose a sample quantity that will not clog the funnel.
- Do not use an inner funnel. (classic line)
- Do not cover the funnel with your hand.

If these points are not observed, negative pressure is generated in the grinding chamber and the rotor is pulled upwards after the exhaust system is switched on. This can cause damage to the lid of the collecting vessel.

7. → Switch on the exhaust system.
8. → Start sample feeding with the LABORETTE 24 as described in Chapter → *Chapter 6.9 'Continuous feeding of source material' on page 32*.



When the sample bottle is 2/3 full, stop the comminution. To do this, switch off the PULVERISETTE 14 and the sample exhaust system. Then empty the sample bottle.

If comminution is not stopped when the bottle is 2/3 full, the effectiveness of the classifier is impaired and material will gradually clog the upper part of the filter of the sample exhaust system.

If the vortex of comminution material in the sample bottle slows down, this means that the air throughput or air flow rate has decreased:

- the sample amount fed is too large
- the grinding chamber is overfilled or
- the sieve ring has to be cleaned and / or
- the filter of the exhaust system has to be cleaned.



Small amounts of fine dust that cannot be separated by the cyclone separator collect on the upper filter of the sample exhaust system. Clean the filter from time to time by vacuuming or blowing out.

7.2 Small volume Cyclone separator



We recommend using an additional exhaust system for employing the small volume cyclone separator with the PULVERISETTE 14.

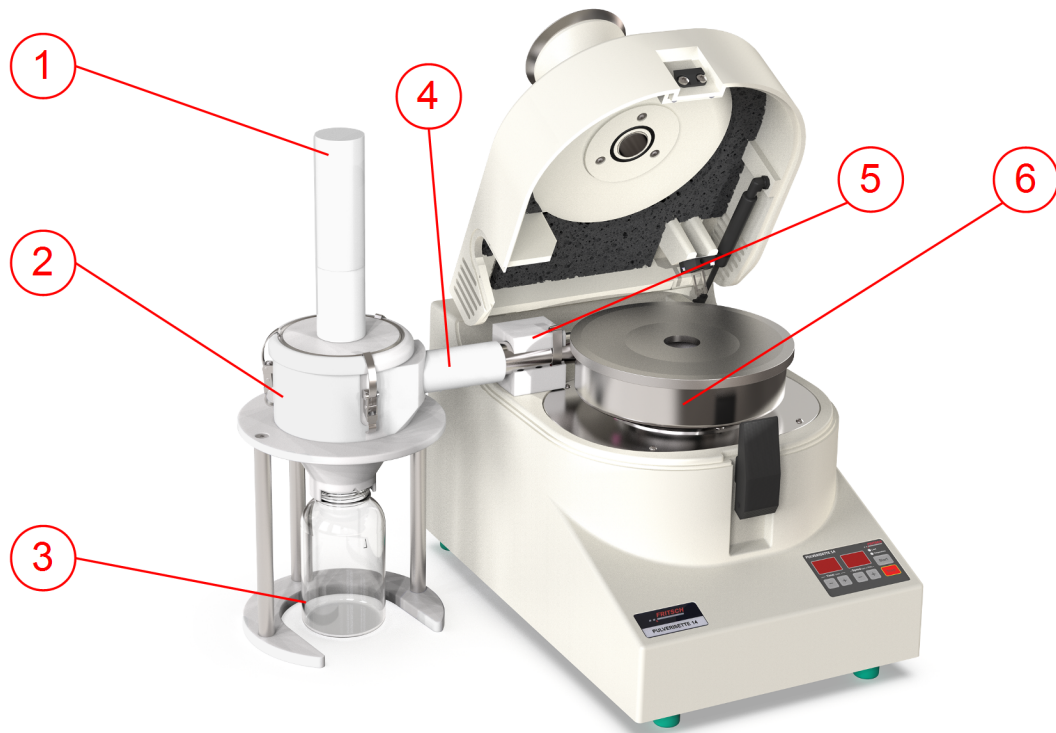


Two different fine dust filters are included with the small volume cyclone separator as accessories. The coarser filter has a pore size of 80 μm ; the finer one can be used for particles to a minimum of 40 μm . The finer fine dust filter clogs up quicker with coarser material.

Especially with brittle and fine sample materials it can happen that sample material can even pass through the fine 40 μm filter anyway. Should sample material escape massively, then the application may possibly be only suitable for a closed system without small volume cyclone separator.

In case a sterilisation is necessary, Fritsch recommends soaking the filters in 100 % isopropanol for an hour and then air-drying for at least 12 hours.

A cleaning can be done with compressed air as well as with detergents and lukewarm water with subsequent air-drying. Cleaning in dishwashers or mechanically would cause damage to the filters. Generally Fritsch recommends exchanging the filters regularly.



- 1 Fine dust filter
- 2 Small volume cyclone separator
- 3 Sample glass Cyclone
- 4 Particle inlet pipe for connecting with the pan
- 5 Support for pipe
- 6 Pan with outlet



The small volume Cyclone separator can be used for the sample exhaustion of small sample quantities!

- 1.** → Connect all parts as shown in the previous image.
- 2.** → Switch on the exhaust system.
- 3.** → Switch on the PULVERISETTE 14.
- 4.** → Add the sample in small amounts into the funnel.
- 5.** → As soon as the collecting vessel underneath the small volume Cyclone separator is 3/4 full, stop adding the sample and empty or replace the collecting vessel!

8 Cleaning



! DANGER

Mains voltage!

- Before beginning with cleaning work, disconnect the mains plug and protect the device against being unintentionally switched back on!
- Do not allow any liquids to flow into the device.
- Indicate cleaning work with warning signs.
- Put safety equipment back into operation after cleaning work.

8.1 Device

The outside of the device can be cleaned with a soft, damp cloth when it is in the switched off state.

Do not use solvents for cleaning.

8.2 Grinding chamber

The type and frequency of thorough cleaning depends on source material and its final fineness. We recommend regular checks at the beginning in order to adjust the cleaning intervals for the use of the variable speed rotor mill.

Residual source material beneath the labyrinth disk or in the area around the motor mount must be carefully and completely vacuumed away - if necessary, use a brush or vacuum cleaner brush for the final touch-up.

The collecting vessel, rotor, sieve and labyrinth disk should be thoroughly cleaned outside of the variable speed rotor mill - they may be brushed off when wet or cleaned in the ultrasonic cleaner "LABORETTE 17".

The inner funnel can be removed for cleaning and the outer funnel can be unscrewed.

When cleaning the grinding elements, make sure that all guiding surfaces with gliding movements are cleaned. These surfaces can also be lightly oiled.

Caution when cleaning the grinding elements:

The rotor and sheet metal parts such as sieves and the collecting vessel can have sharp edges. For this reason, wear gloves that are safe and without defect.

8.3 Intake filter

On the base of the PULVERISETTE 14, the intake area for cooling air entering the device is protected with a filter mat so that only relatively dust-free cooling air is taken into the device.



NOTICE

Maintenance of this filter mat is absolutely required. The drive motor is not sufficiently cooled when the filter mat is excessively soiled. This results in motor failure.

Inspect the filter mat (order no. 14.4103.00.00) regularly and when necessary rinse it out with running water or replace it.

9 Maintenance



! DANGER

Mains voltage

- Before beginning with maintenance work, unplug the mains plug and protect the device against being unintentionally switched back on again!
- Indicate maintenance work with warning signs.
- Maintenance work may only be performed by specialised personnel.
- Put safety equipment back into operation after maintenance or repair work.



We recommend keeping a safety logbook → Chapter 15 'Safety logbook' on page 55, where all work (maintenance, repairs.....) performed on the device is entered.



- *The most important element of maintenance is regular cleaning.*
- *When cleaning the entire device, adhere to the guidelines of the Accident Prevention Regulation (BGV A3).*

9.1 Device

Except for regular cleaning, the device does not require any maintenance. The bearings of rotating parts have permanent lubrication.

Functional part	Task	Test	Maintenance interval
Safety lock	Locking housing cover	Is the closed housing cover locked in place when the main switch is off?	Before each use
Drive motor	Permanent lubrication	Bearing clearance	Every 4,000 h or annually
Fan, filter mats	Cooling Grinding chamber and electronics	Proper functioning, clean when soiled	Twice a year
Rotor Sieve	Sample comminution Sample division	Visual inspection	Before each use

9.2 Safety

- Inspect the interlock for soiling before beginning work, especially the slit that holds the actuator.
- Always keep the interlock clean and free of dust.
- Check that the actuator can properly enter the interlock.
- Before beginning work, open the housing cover far enough so that the actuator is just outside of the interlock and simulate a start-up test with opened housing cover.
- If the device starts up, switch it off immediately, take it out of service and replace the interlock.

10 Repairs



! DANGER

Mains voltage!

- Before beginning with repair work, unplug the mains plug and protect the device against being unintentionally switched back on.
- Indicate repair work with warning signs.
- Repair work may only be performed by specialised personnel.
- Put safety equipment back into operation after maintenance work.

10.1 Checklist for troubleshooting

Fault description	Cause	Remedy
The displays do not light up or POWER SUPPLY does not light up	No connection to mains	Plug in mains plug
	Main switch is off	Switch on main switch
	Device fuse has switched off	<ul style="list-style-type: none"> ■ Check device fuse ■ Fuse is on ■ Back side of device, 1 x 15 A T
START button is pressed but mill does not start up	Excess temperature	Switch off mill and allow to cool down
	Safety lock was opened manually	see Chapter 2.6.1 'Opening the housing cover without voltage supply' on page 14
	Electrical fault in the device	Notify customer service
Mill stops running	Switched off due to thermal overload of the drive	Allow device to cool down and select a lower speed
	Drive was blocked	Rectify malfunction in grinding chamber
	Speed sensor is defective	Notify customer service
The hood cannot be opened	No connection to mains	Plug in mains plug
	Main switch is off	Switch on main switch
	Device fuse	<ul style="list-style-type: none"> ■ Check device fuse ■ Fuse is on ■ Back side of device, 1 x 15 A T
Source material escapes	Seal rings are soiled or defective	Clean or replace seal rings

Fault description	Cause	Remedy
Runs unevenly with strong vibrations	Motor bearings are defective, grinding rotor is unbalanced	Check motor and grinding rotor

10.2 Error messages



The error messages are displayed on the control panel, as shown in the image!

Fault description	Cause	Remedy
01	Frequency converter failed	Contact Fritsch Service!
02	Frequency converter operational error	Contact Fritsch Service!
04	Motor relay has not switched	Check manual release at safety switch or plug of safety switch
05	Emergency stop switch pressed	Unlock emergency stop switch
06	Hood not closed	Close hood properly
08	Critical end plate temperature reached	Allow the device to cool down
09	Motor's own temperature protection switched off	Allow the device to cool down
10	Safety circuit fault on the inverter	Contact Fritsch Service!

Examples of milling results

11 Examples of milling results

The following examples from our laboratory for technical applications can be used as a reference for selecting the grinding elements and for optimal usage of the PULVERISETTE 14.

Source material	Amount (grams)	Rotor	Sieve ring	Time (min.)
Polyvinyl alcohol	20 g	12	0.12 trapez. perf.	2
Polyvinyl alcohol	50 g	12	1.00 trapez. perf.	1
Polyester yarn	4 g	12	4.00 round perf.	1
Teflon (2 mm)	500 g	24	0.50 trapez. perf.	20
Rubber granulate	10 g	12	1.00 trapez. perf.	5
Glass fibre	10 g	8	0.12 trapez. perf.	2
Wool felt	30 g	12	1.00 trapez. perf.	2
Cotton	25 g	8	0.50 trapez. perf.	5
Almonds	60 g	12	1.00 trapez. perf.	1
Almonds	80 g	12	2.00 round perf.	3
Maize seeds	15 g	12	1.00 trapez. perf.	3
Maize seeds	140 g	12	1.00 round perf.	3
Cacao nibs	600 g	8	6.00 round perf.	5
Hops	35 g	12	0.20 trapez. perf.	5
Carrots	50 g	24	1.00 trapez. perf.	2
Dried plants	30 g	12	0.08 trapez. perf.	15
Bone	10 g	12	1.00 trapez. perf.	0.5
Calf teeth	20 g	12	1.00 trapez. perf.	3
Pellets	50 g	12	0.20 trapez. perf.	2
Plaster	250 g	12	0.50 trapez. perf.	2
Fertilizer	800 g	24	0.50 trapez. perf.	20
Phosphate	200 g	24	0.12 trapez. perf.	10
Coke	200 g	8	1.00 round perf.	3
Alumina	20 g	12	0.50 trapez. perf.	0.3

Examples of milling results

Source material	Amount (grams)	Rotor	Sieve ring	Time (min.)
Sediments	50 g	12	0.20 trapez. perf.	2
Sludge (dry)	10 g	24	0.20 trapez. perf.	3

12 Disposal

It is hereby confirmed that FRITSCH has implemented the directive 2002/95/EC of the European Parliament and Council from 27th January 2003 for the limitation of the use of certain dangerous substances in electrical and electronic devices.

FRITSCH has registered the following categories according to the German electrical and electronic equipment act, section 6, paragraph 1, clause 1 and section 17, paragraphs 1 and 2:

Mills and devices for the preparation of samples have been registered under category 6 for electrical and electronic tools (except for large stationary industrial tools).

Analytical devices have been registered under category 9, monitoring and control instruments.

It has been accepted that FRITSCH is operating only in the business-to-business area. The German registration number for FRITSCH is WEEE reg. no. DE 60198769

FRITSCH WEEE coverage

Since the registration of FRITSCH is classified for bilateral transactions, no legal recycling or disposal process is described. FRITSCH is not obliged to take back used FRITSCH devices.

FRITSCH declares it is prepared to take back used FRITSCH devices for recycling or disposal free of charge whenever a new device is purchased. The used FRITSCH device must be delivered free of charge to a FRITSCH establishment.

In all other cases FRITSCH takes back used FRITSCH devices for recycling or disposal only against payment.

13 Guarantee terms

Guarantee period

As manufacturer, FRITSCH GmbH provides – above and beyond any guarantee claims against the seller – a guaranty valid for the duration of two years from the date of issue of the guarantee certificate supplied with the device.

Within this guarantee period, we shall remedy all deficiencies due to material or manufacturing defects free of charge. Rectification may take the form of either repair or replacement of the device, at our sole discretion. The guarantee may be redeemed in all countries in which this FRITSCH device is sold with our authorisation.

Conditions for claims against the guarantee

This guarantee is subject to the condition that the device is operated according to the instructions for use / operating manual and its intended use.

Claims against the guarantee must include presentation of the original receipt, stating the date of purchase and name of the dealer, together with the complete device type and serial number.

For this guarantee to take effect, the answer card entitled "Securing of Guarantee" (enclosed with the device) must be properly filled out and despatched without delay after receipt of the device and be received by us within three weeks or alternatively, *online registration* must be carried out with the above-mentioned information.

Reasons for loss of the guarantee

The guarantee will not be granted in cases where:

- Damage has arisen due to normal wear and tear, especially for wear parts, such as: Crushing jaws, support walls, grinding bowls, grinding balls, sieve plates, brush strips, grinding sets, grinding disks, rotors, sieve rings, pin inserts, conversion kits, sieve inserts, bottom sieves, grinding inserts, cutting tools, sieve cassettes, sieve and measuring cell glasses.
- Repairs, adaptations or modifications were made to the device by unauthorized persons or companies.
- The device was not used in a laboratory environment and/or has been used in continuous operation.
- Damage is present due to external factors (lightning, water, fire or similar) or improper handling.
- Damage is present that only insubstantially affects the value or proper functioning of the device.
- The device type or serial number on the device has been changed, deleted, removed or in any other way rendered illegible
- The above-mentioned documents have been changed in any way or rendered illegible.

Costs not covered by the guarantee

This guarantee excludes any costs for transport, packaging or travel that accrue in the event the product must be sent to us or in the event that one of our specialist technicians is required to come to your site. Any servicing done by persons not authorised by us and any use of parts that are not original FRITSCH accessories and spare parts will void the guarantee.

Further information about the guarantee

The guarantee period will neither extend nor will a new period of guarantee begin in the event that a claim is placed against the guarantee.

Guarantee terms

Please provide a detailed description of the type of error or the complaint. If no error description is enclosed, we shall interpret the shipment as an assignment to remedy all recognisable errors or faults, including those not covered by the guarantee. Errors or faults not covered by the guarantee shall in this case be rectified at cost.

We recommend reading the operating manual before contacting us or your dealer, in order to avoid unnecessary inconvenience.

Ownership of defective parts is transferred to us with the delivery of the replacement part; the defective part shall be returned to us at buyer's expense.



NOTICE

Please note that in the event that the device must be returned, the device must be shipped in the original Fritsch packaging. Fritsch GmbH denies all liability for any damage due to improper packaging (packaging not from Fritsch).

Any enquiries must include a reference to the serial number imprinted on the type plate.

14 Exclusion of liability

Before using the product, be sure to have read and understood this operating manual.

The use of the product requires technical knowledge; only commercial use is permitted.

The product may be used exclusively within the scope of applications set down in this operating manual and within the framework of guidelines put forth in this operating manual and must be subject to regular maintenance. In case of non-compliance, improper use or improper maintenance, the customer assumes full liability for the functional capability of the product and for damage or injury arising from violating these obligations.

The contents of this operating manual are subject in entirety to copyright law. This operating manual and its contents may not be copied, further distributed or stored in any form, in part or in whole, without the prior written consent of Fritsch.

This operating manual has been prepared to the best of our knowledge and checked for accuracy at the time of printing. FRITSCH GMBH assumes no guarantee or liability whatsoever for the accuracy or completeness of the contents of this operating manual, including but not limited to the implied warranties of merchantability and fitness for a particular purpose, unless liability is expressly prescribed by applicable laws or jurisprudence.

FRITSCH GMBH expressly reserves the right to modify and/or update this operating manual without prior notice. The same applies to modifications and improvements to the products described in this operating manual. It is the responsibility of the user to ensure that they have the current version of this operating manual. For more information, please contact your local FRITSCH GMBH distributor or Fritsch GmbH, Industriestr. 8, D-55473 Idar-Oberstein.

Not all parts shown here are necessarily installed in the product. The buyer is not entitled to delivery of these parts. If interested, please contact your local FRITSCH GMBH distributor or Fritsch GmbH, Industriestr. 8, D-55473 Idar-Oberstein.

FRITSCH GMBH takes the greatest care to ensure that the quality, reliability and safety of your products are continuously improved and adapted to the state of the art. The supplied products as well as this operating manual conform to the current state of the art when they leave the sphere of influence of FRITSCH GMBH.

By using the product the customer agrees with this and recognizes that defects, malfunctions or errors cannot be completely excluded. To prevent risk of damage to persons or property or of other direct or indirect damage, resulting from this or other causes, the customer must implement sufficient and comprehensive safety measures for working with the product.

Fritsch GmbH excludes any liability, warranty, or other obligation to compensate for damages, regardless of whether this liability, warranty, or other obligation is explicit or implicit, contractual or arising from unlawful acts or prescribed contractually, by law, or otherwise. In no event shall the buyer be entitled to any compensation from Fritsch GmbH for any special, direct, indirect, coincidental or consequential damage, including but not limited to lost profits, lost savings, lost sales or financial loss of any kind or for compensation of third parties, for downtimes, for lost goodwill, for damage to or replacement of equipment and property, for costs or restoration of materials or goods related to the product or the use of our products, for other damage or injury to persons (including fatal

Exclusion of liability

injuries) or similar. The above exclusion of liability is limited by mandatory liability as prescribed by laws or jurisprudence. Liability for negligence is excluded in all cases.

No permission is given expressly, implicitly or otherwise for the use of patents, brands or other copyrights. We also assume no liability for copyright infringements or infringements of the rights of third parties arising from the use of this product.

Neither compliance with this operating manual nor the conditions and methods used during installation, operation, use and maintenance of the product can be monitored by Fritsch GmbH. Improper execution of the installation can result in property damage and thus endanger persons. Therefore, we assume absolutely no responsibility or liability for loss, damage or costs that result from errors at installation, improper operation or improper use or improper maintenance or are in any way connected to these.

16 Index

A	
Accident prevention.	8
Ambient conditions.	21
Authorised persons.	8
B	
Basic structure.	7
C	
Checklist for troubleshooting.	46
Cleaning.	42
Device.	42
Grinding chamber.	42
Intake filter.	42
Conducting a grinding operation.	28
Control panel.	34
Conversion	
for use with the cyclone separator.	37
Conversion to milling of larger quantities.	29
Current consumption.	17
D	
Dimensions.	17
Disposal.	50
E	
Electrical connection.	21
Electrical fuses.	18
Exclusion of liability.	53
Explanation of signs.	11
Explanation of symbols.	11
F	
Function check.	23
G	
Grinding	
with metal-free grinding elements.	31
with the impact rotor element.	33
Grinding elements	
metal-free.	31
removing.	28
Grinding parts	
Installing.	27
Grinding process	
Influencing factors.	34
With external cooling.	31
with the conversion kit for pin mills.	33
with the sample exhaustion system.	36
Grinding stock	
continuous feeding.	32
Guarantee terms.	51
I	
Impact rotor.	25
Influencing factors	
Cooling.	34
sieve perforation size.	34
Source material feed rate.	34
Speed.	34
Initial start-up.	23
M	
Maintenance.	44
Device.	44
Safety.	45
Material	
Feed size.	18
Feeding amount.	18
Final fineness.	18
Milling	
conversion kit for larger quantities.	29
O	
Operating noise.	17
P	
Power consumption.	17
R	
Repairs.	46
Requirements for the user.	8
S	
Safety information.	11
Safety logbook.	55
Scope of delivery.	19
Setting up.	20
Sieve ring.	26
Skilled workers.	8
Standstill.	23
Stopping the device.	23
Switching on.	23
T	
Transport.	19
U	
Unpacking.	19
Using the device.	24
V	
Voltage.	17

W

Warning information.....	11
WEEE.....	50
Weight.....	17



© 2013

Fritsch GmbH

Milling and Sizing

Industriestraße 8

D - 55743 Idar-Oberstein

Telephone: +49 6784 70-0

Email: info@fritsch.de

Internet: www.fritsch.de
